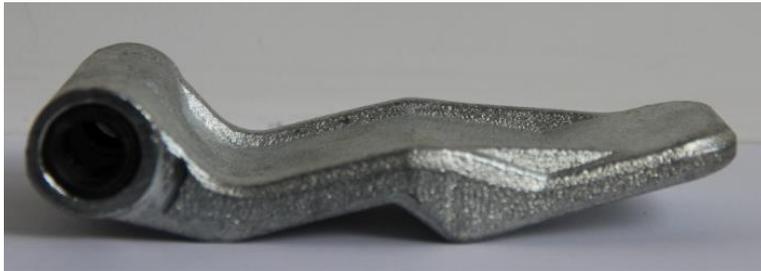




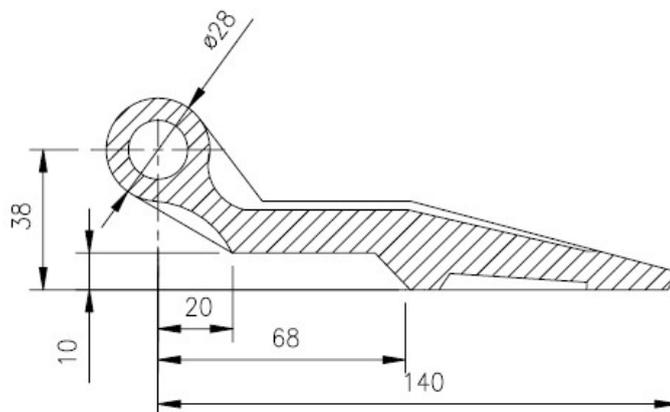
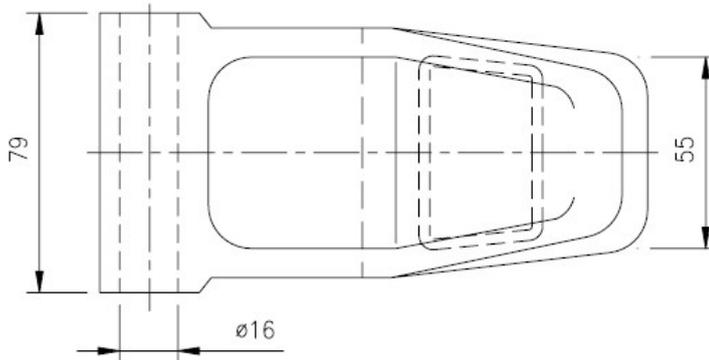
Container Door Hinge

(article number: K0933)

Saejin typ, ISO standard hinge with plastic lining for storage and shipping container doors. Hot dip galvanized casting steel. Weight: 0,96 Kgs. The complete hinge includes the hinge pin and hinge lugs.



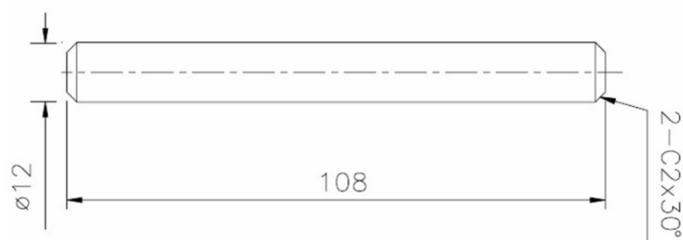
Hinge



H-1037 Budapest Montevideo u. 4.
Tel: 06 1/887-1080 Fax: 06 1/887-1099
www.mobilbox.hu, E-mail: info@mobilbox.hu



Hinge pin



Hinge lug

